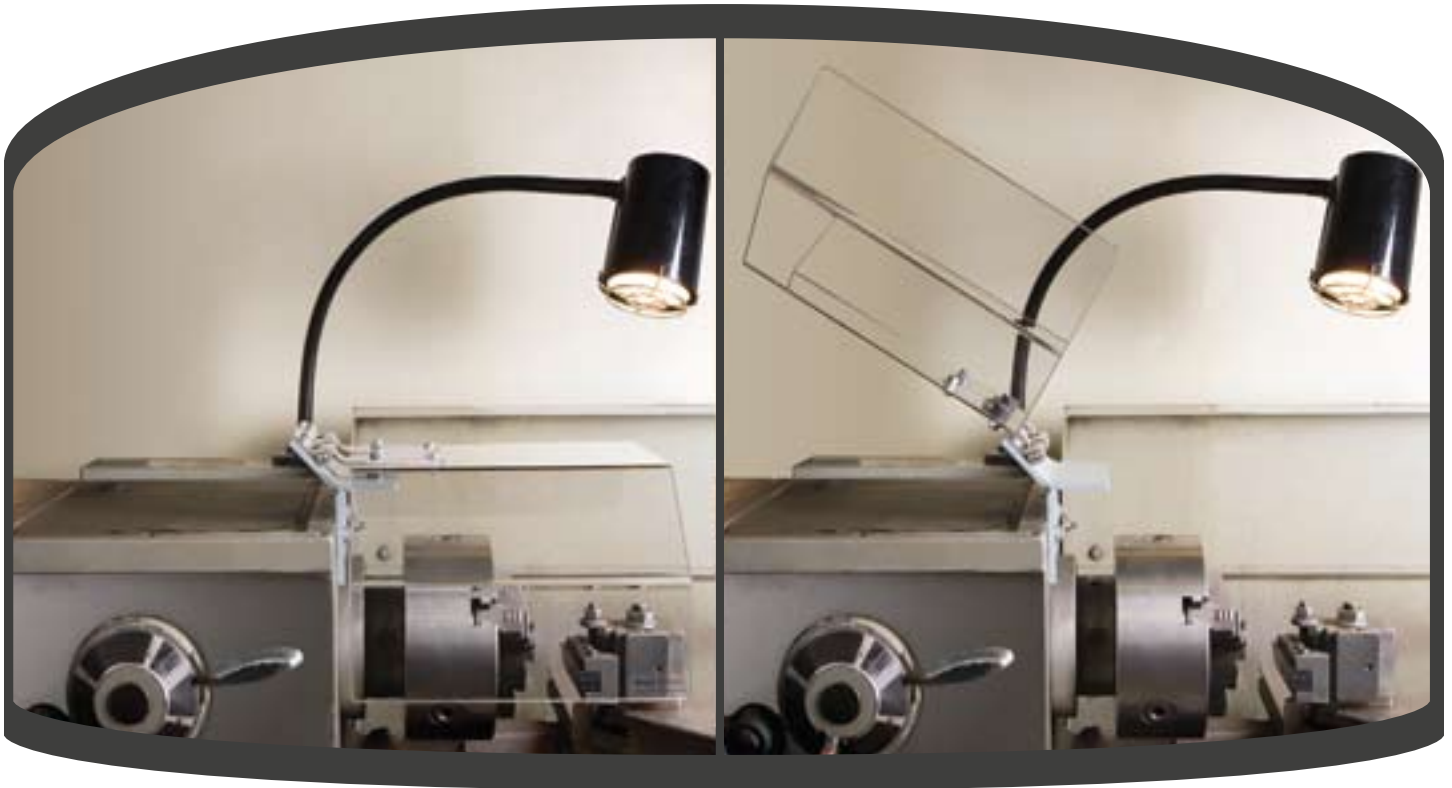


Poly. Lathe Chuck Shield Instruction Manual

DANRAY Products LLC
MACHINE SAFEGUARDS AND ACCESSORIES



Thank you for purchasing a Danray Products lathe chuck shield. This versatile and durable shield can be used in many machine applications. This quality-made, heavy-duty shield is proudly made in the United States of America.

Lathe chuck shields serve two basic functions: (1) they provide a safeguard between individuals and point-of-operation or rotating hazards, and (2) they protect individuals from flying chips, sparks, coolant, lubricant, and other particles. When applied properly, they will comply with applicable OSHA and ANSI safety standards. If turning is done beyond the chuck shield or if chips fly out from the open ends, additional shields or

guards may be required. For additional shields, see our website or catalog.

The enclosed safety sign identifies and warns individuals against specific hazards. Our signs comply with OSHA 29 CFR 1910.145 and the ANSI Z535 series of standards for the design, application, and use of signs, colors, and symbols for accident prevention.

TF 1.866.482.6807 / P 815.262.6667 | 973 Featherstone Road, Unit 115, Rockford, Illinois 61107 | www.danrayproducts.com / service@danrayproducts.com

DANRAY Products LLC
MACHINE SAFEGUARDS AND ACCESSORIES

Copyright © 2017 by Danray Products LLC. All rights reserved.

Manual No. MAN-004

Assembling and Installing the Shield

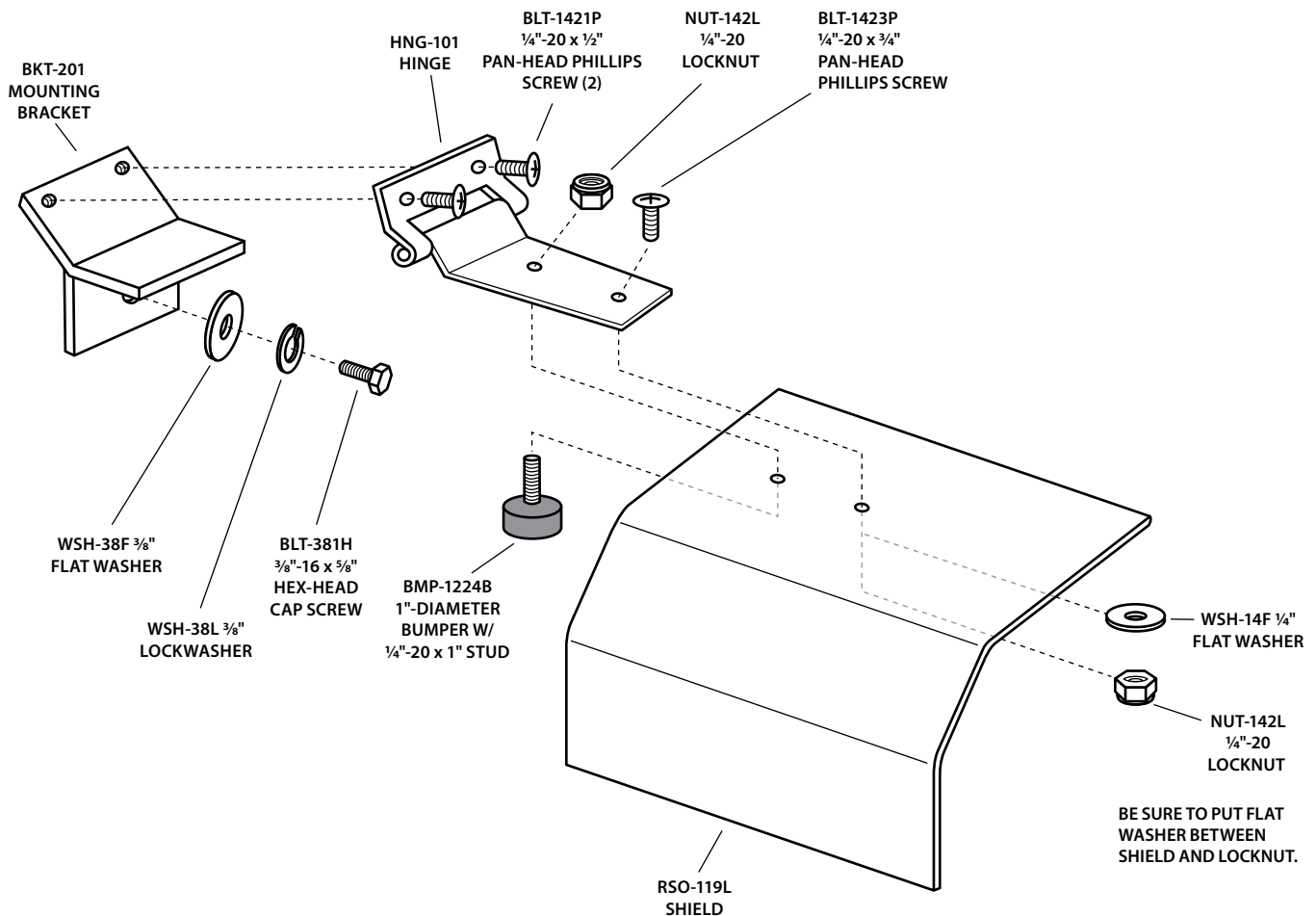
The lathe chuck shield assembly includes the shield, mounting bracket, hinge(s), bumper(s), fasteners, and a safety sign. To assemble, take all of the components out of the shipping container, remove all protective packaging, and lay them out as illustrated in the drawing below or on the next two pages. Peel back and remove the protective masking on the shield and assemble the hinge(s) to the shield using the fasteners provided. (Note: Be sure to put the flat washer(s) between the shield and locknut(s).) To make sure that all parts will align, do not tighten the fasteners until the shield is completely assembled on the lathe.

Now take the mounting bracket, by itself, and hold it up to the face of the lathe headstock to spot the mounting hole(s). (Note: If the leg(s) on the mounting bracket are too long and won't allow the mounting bracket to be mounted close enough to the chuck, cut them to length.) After spotting the hole(s), drill and tap $\frac{3}{8}$ "-16 hole(s) in the face of the lathe. Then install the mounting bracket using the fasteners provided. After the mounting bracket is securely attached to the headstock, install the shield by fastening the hinge(s) to the bracket. Align and tighten all fasteners and the installation will be complete.

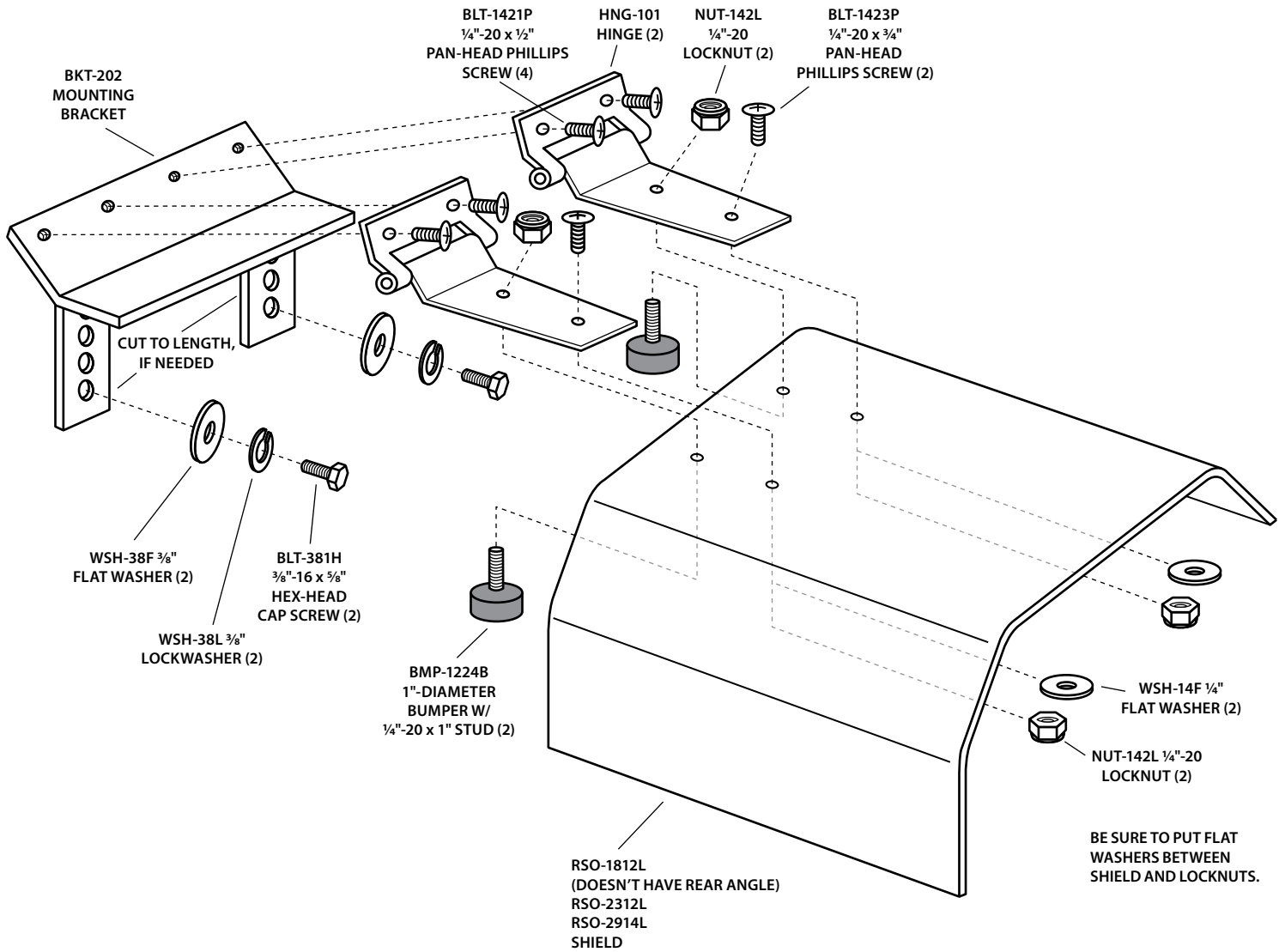


If you are mounting the shield to a surface that has internal components or liquid, be careful not to drill through this surface because it may cause electric shock, leakage, or damage.

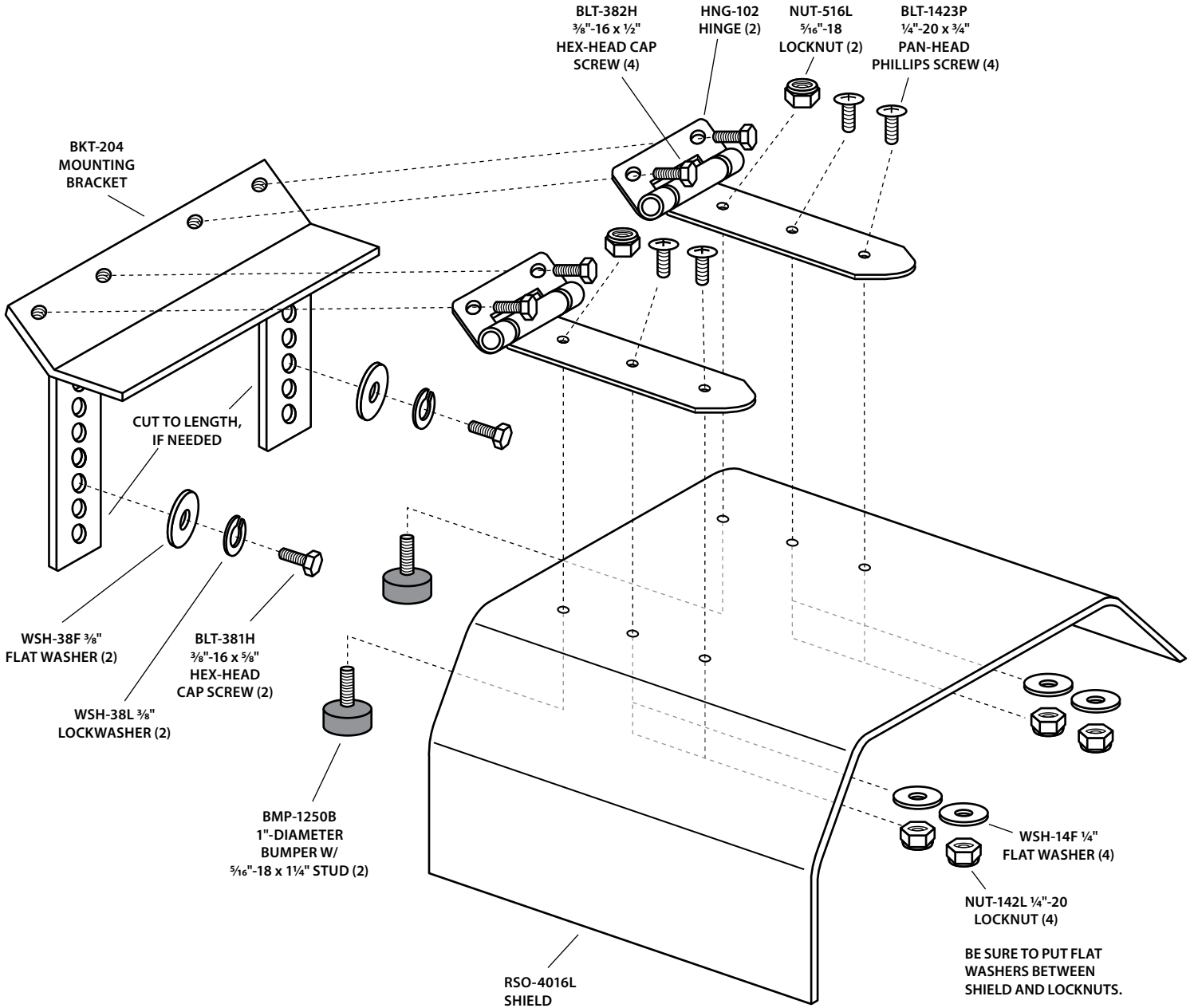
Illustrated Below: Shield Assembly SHD-119L



Illustrated Below: Shield Assemblies SHD-1812L, SHD-2312L, and SHD-2914L



Illustrated Below: Shield Assembly SHD-4016L



Cleaning and Maintaining the Shield

The shield itself is made of a polished, UV-stabilized polycarbonate. To clean the shield, thoroughly rinse it with warm water using a soft cloth or sponge. Then wash it with mild soap or detergent (such as Formula 409, Top Job, Joy, Palmolive Liquid, or Windex) and rinse it thoroughly with clean water. To prevent water spots, dry the shield with a chamois or moist sponge. Avoid cleaning the shield in direct sunlight to prevent streaking.

NOTICE

Do not use abrasive cleaners or harsh solvents for cleaning; this may damage the polycarbonate shield.

Replacement Shields Only

Part No.	Description
RSO-119L	Shield Only for Lathe Chuck Diameter of 6" and Smaller (No Rear Angle)
RSO-1812L	Shield Only for Lathe Chuck Diameter of 12" and Smaller (No Rear Angle)
RSO-2312L	Shield Only for Lathe Chuck Diameter of 12" and Smaller (With Rear Angle)
RSO-2914L	Shield Only for Lathe Chuck Diameter of 18" and Smaller (With Rear Angle)
RSO-4016L	Shield Only for Lathe Chuck Diameter of 24" and Smaller (With Rear Angle)



One LBL-005 sign is included with every shield assembly. Affix this sign to a prominent location on the machine so that it is easily seen and understood by individuals in the hazard area. Additional signs for other machinery and equipment are available as well as polycarbonate sign backings; contact us by phone, fax, e-mail, or online.

Part No. LBL-005

Returns

Danray Products LLC must authorize all returns in advance, at which time an RMA (return materials authorization) number will be given to the customer. No returns will be accepted unless accompanied by an RMA number and this RMA number plainly identified on the outside of the package. Our receiving department will refuse returns without an RMA number. Shipping charges for all returns must be prepaid. The minimum restocking charge will be 25% for any product(s) returned for credit. Such product(s) must be in original condition and unused in order to qualify for credit. No returns for credit will be considered more than 30 days from the date of shipment.

Warranty

Danray Products LLC warrants that our products will be free from defects in material and workmanship for a period of 12 months from the date of shipment. This warranty does not apply to any product that has been subject to misuse, negligence, or installation not in accordance with Danray Products LLC's instructions.