

Free-Standing Shield Instruction Manual

DANRAY Products LLC
MACHINE SAFEGUARDS AND ACCESSORIES



Thank you for purchasing a Danray Products free-standing shield. This versatile and durable shield can be used in many applications for safeguarding as well as for housekeeping. This quality-made, heavy-duty shield is proudly made in the United States of America.

Free-standing shields serve two basic functions: (1) they provide a safeguard between individuals and hazards, and (2) they protect individuals from flying chips, sparks, coolant, lubricant, and other particles. When applied properly, they will comply with applicable OSHA and ANSI safety standards.

The enclosed safety sign identifies and warns individuals against specific hazards. Our signs comply with OSHA 29 CFR 1910.145 and the ANSI Z535 series of standards for the design, application, and use of signs, colors, and symbols for accident prevention.

TF 1.866.482.6807 / P 815.262.6667 | 973 Featherstone Road, Unit 115, Rockford, Illinois 61107 | www.danrayproducts.com / service@danrayproducts.com

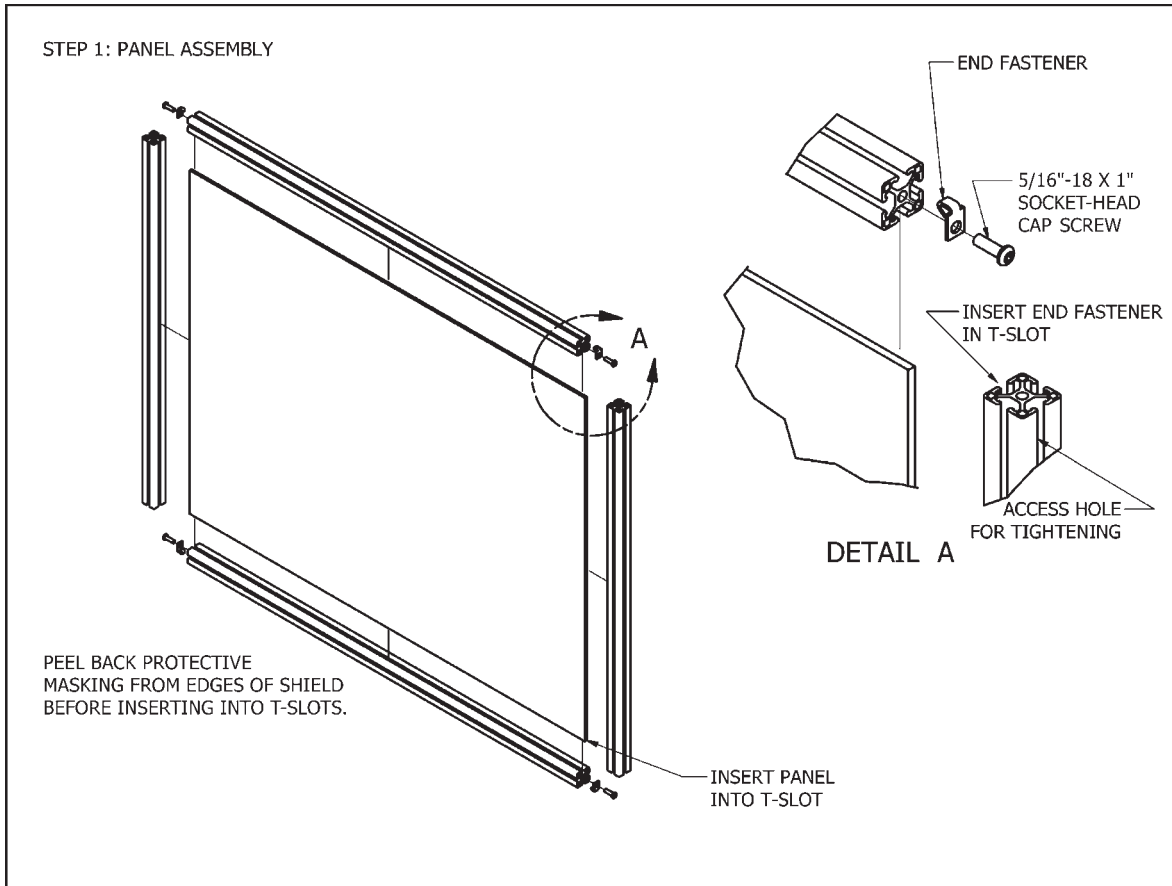
DANRAY Products LLC
MACHINE SAFEGUARDS AND ACCESSORIES

Copyright © 2012 by Danray Products LLC. All rights reserved.

Manual No. MAN-008

Assembling the Shield

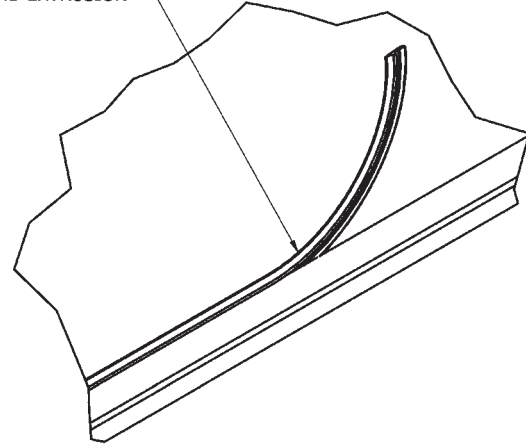
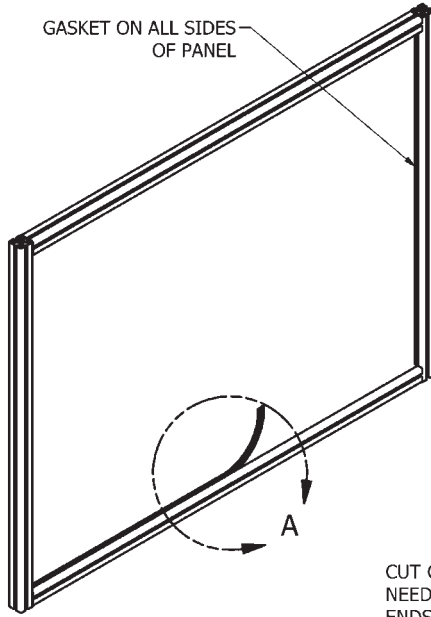
The free-standing shield assembly includes the shield, extruded-aluminum panel frame with posts, hardware, and a safety sign. To assemble, take all of the components out of the shipping containers, remove all protective packaging, and lay them out and assemble them as illustrated in the following drawings.



STEP 2: PANEL GASKET

PUSH GASKET INTO T-SLOT
BETWEEN PANEL AND EXTRUSION

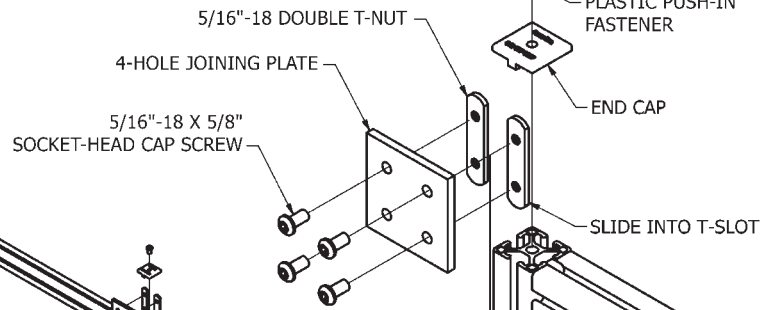
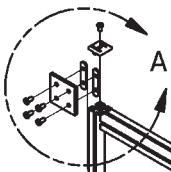
GASKET ON ALL SIDES
OF PANEL



DETAIL A

CUT GASKET SLIGHTLY LARGER THAN
NEEDED AND PUSH ENDS IN FIRST. CUT
ENDS OF GASKET AT 45° FOR CLEAN CORNERS.

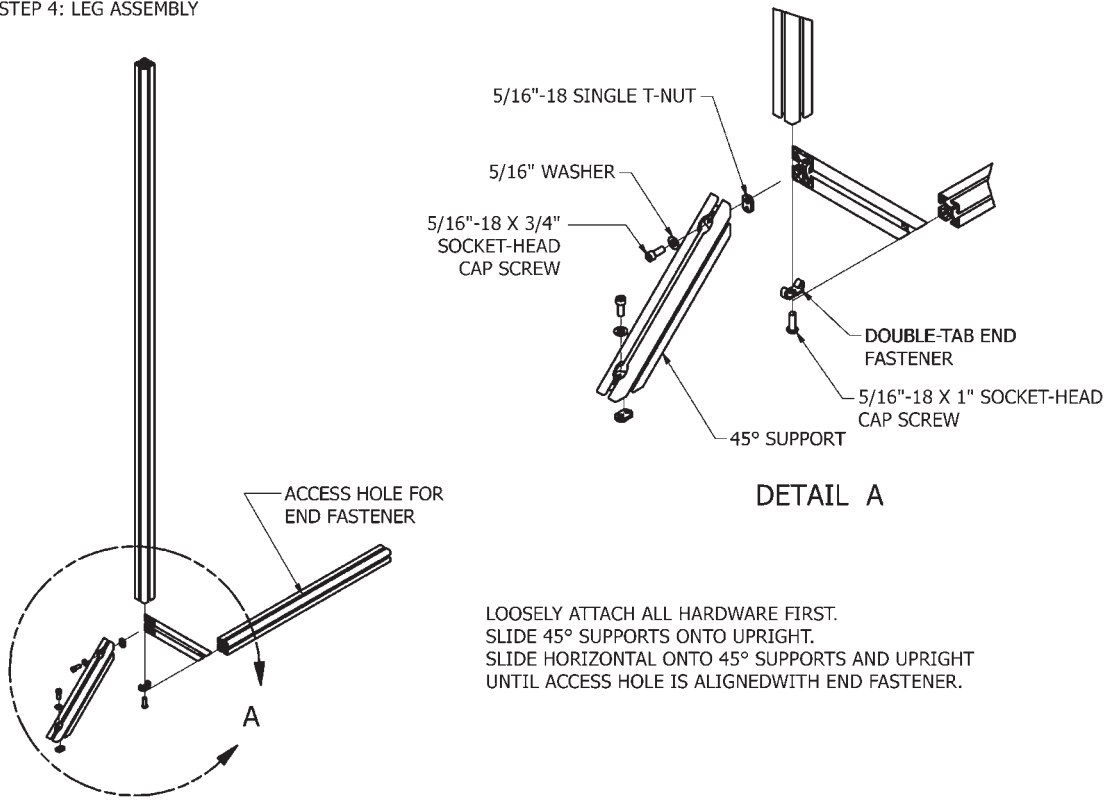
STEP 3: JOINING PLATES AND END CAPS



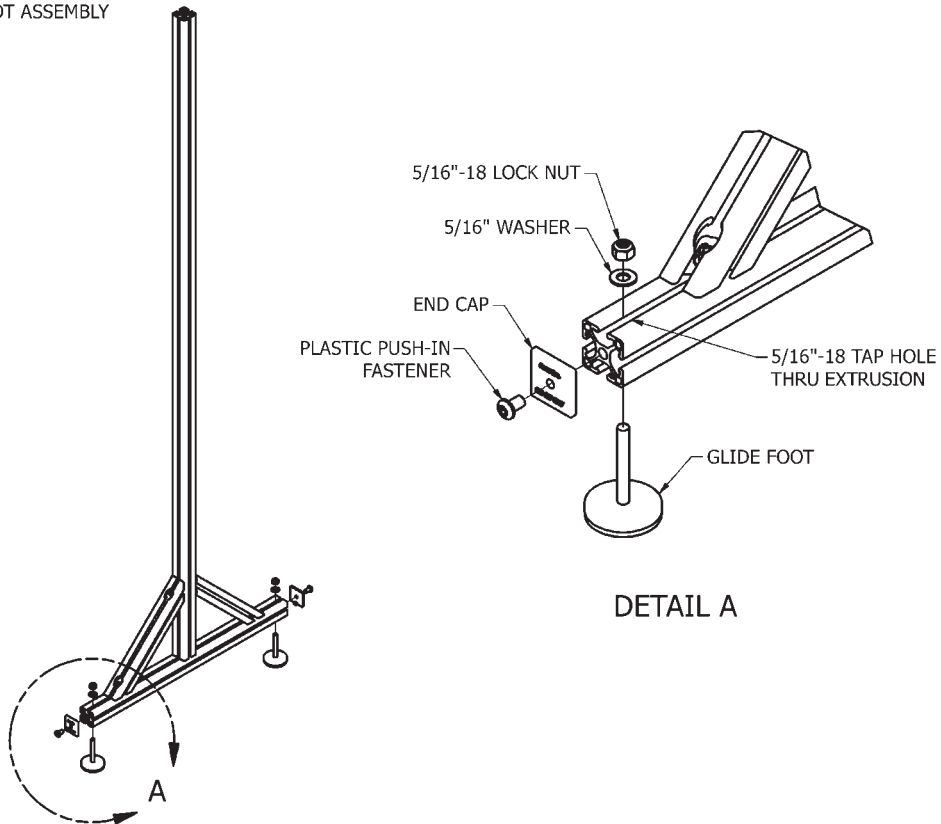
DETAIL A

PRE-ASSEMBLE JOINING PLATES AND
FASTENERS BEFORE SLIDING ONTO
FRAME. SLIDE JOINING PLATES ONTO
FRAME BEFORE ATTACHING END CAPS.

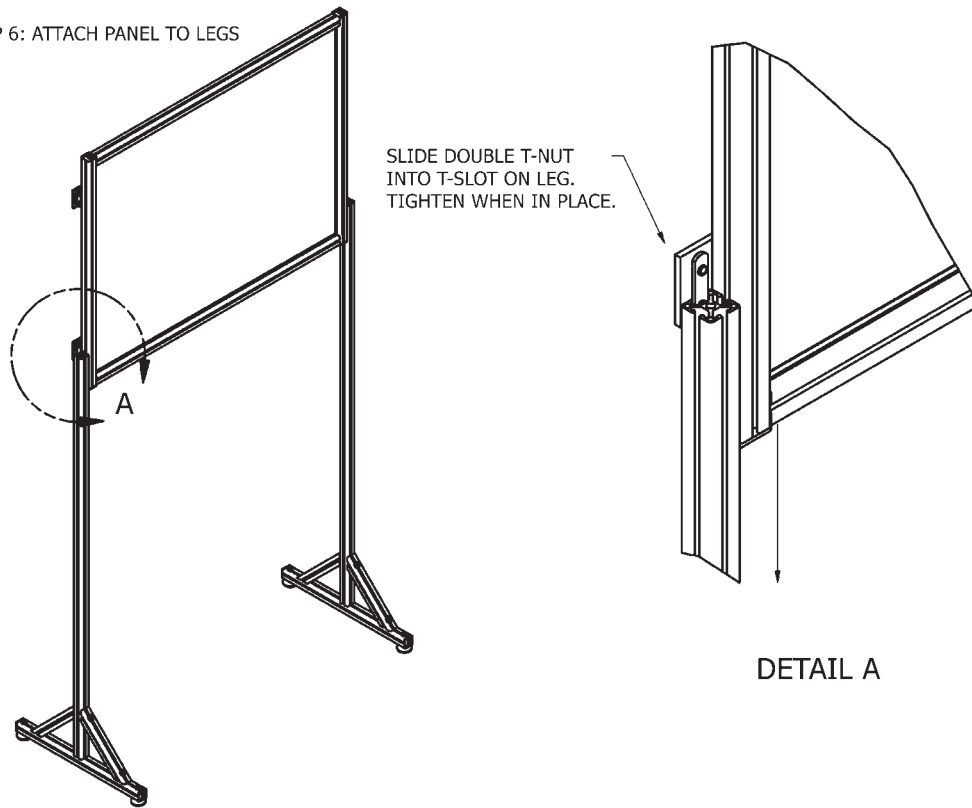
STEP 4: LEG ASSEMBLY



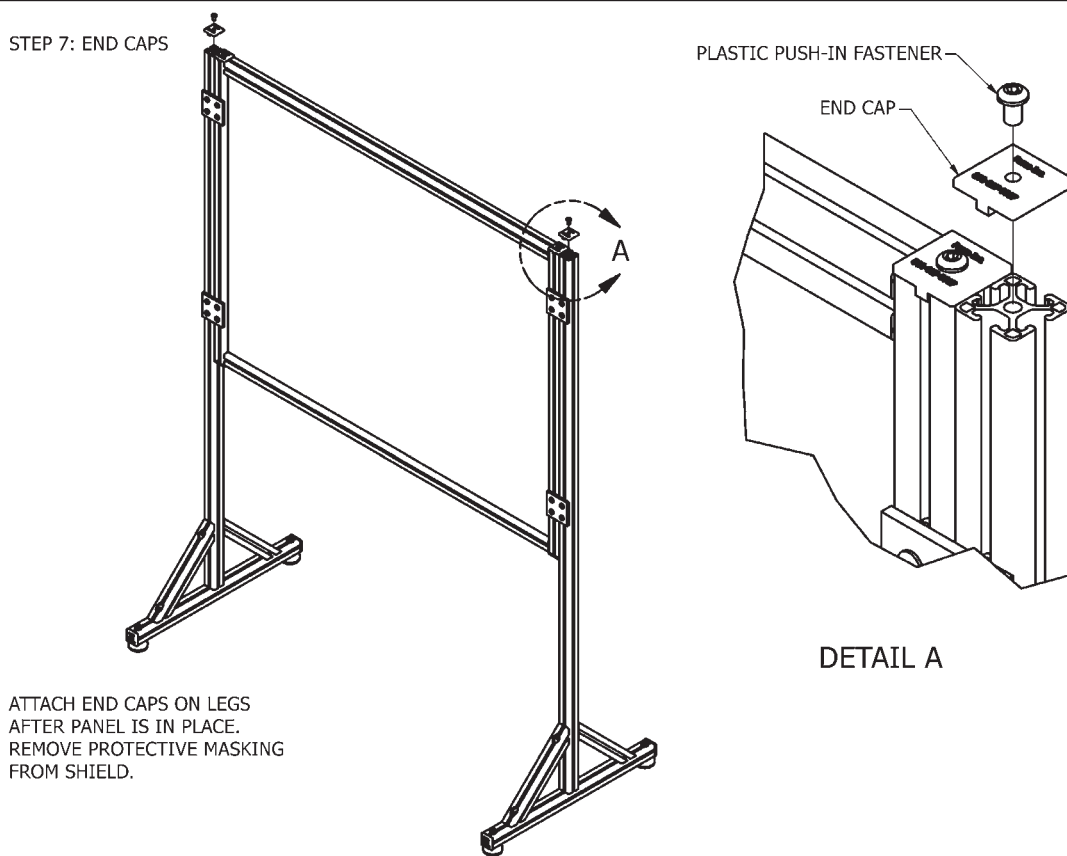
STEP 5: FOOT ASSEMBLY



STEP 6: ATTACH PANEL TO LEGS



STEP 7: END CAPS



Cleaning and Maintaining the Shield

The shield itself is made of a polished, UV-stabilized polycarbonate. To clean the shield, thoroughly rinse it with warm water using a soft cloth or sponge. Then wash it with mild soap or detergent (such as Formula 409, Top Job, Joy, Palmolive Liquid, or Windex) and rinse it thoroughly with clean water. To prevent water spots, dry the shield with a chamois or moist sponge. Avoid cleaning the shield in direct sunlight to prevent streaking.

NOTICE

Do not use abrasive cleaners or harsh solvents for cleaning; this may damage the polycarbonate shield.

Replacement Shield Only

Part No.	Description
RSO-4836FS	Shield Only 48" W x 36" H x ¼"-Thick Polycarbonate



One LBL-002 sign is included with every shield assembly. Affix this sign to a prominent location so that it is easily seen and understood by individuals in the hazard area. Additional signs for other machinery and equipment are available as well as polycarbonate sign backings; contact us by phone, fax, e-mail, or online.

Part No. LBL-002